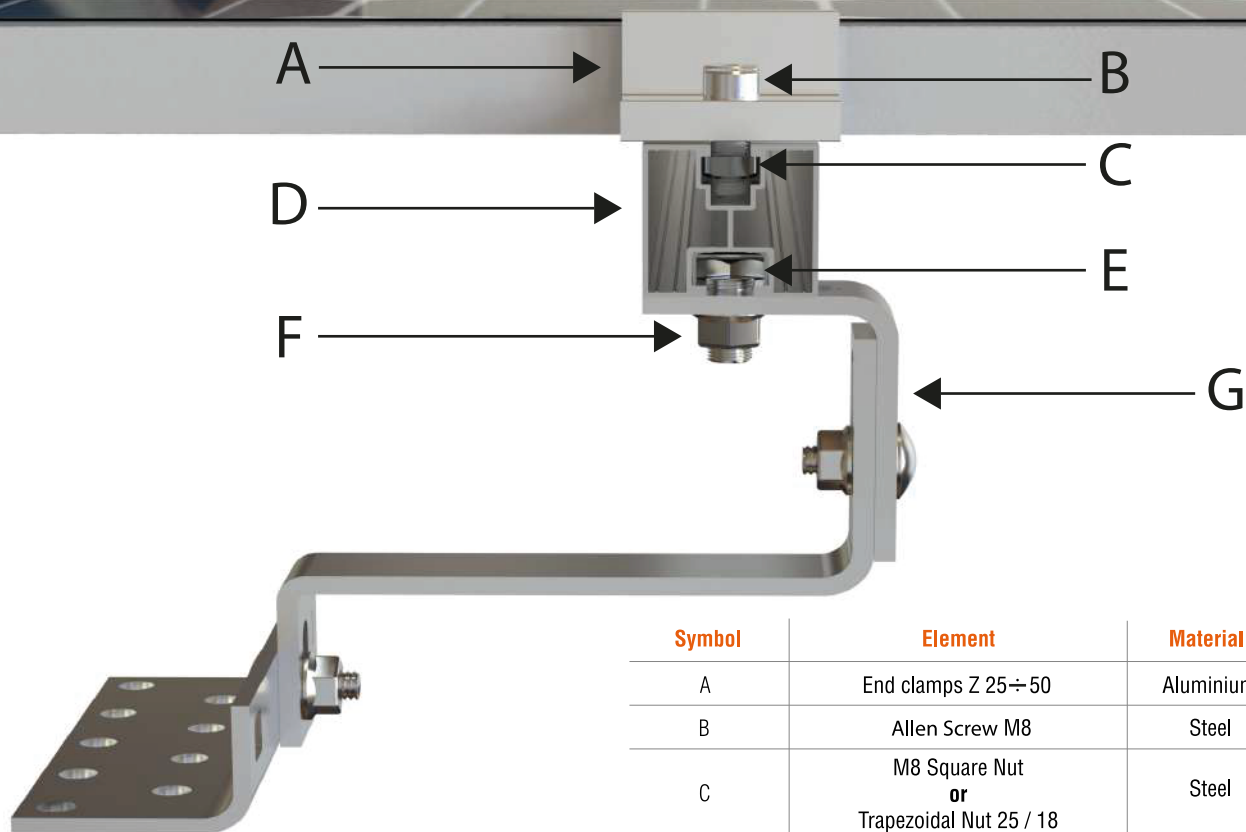


ROOF STRUCTURE COVERED WITH CERAMIC TILES



Symbol	Element	Material
A	End clamps Z 25→50	Aluminium
B	Allen Screw M8	Steel
C	M8 Square Nut or Trapezoidal Nut 25 / 18	Steel
D	PV Mounting rails 40x40	Aluminium
E	Screw M10 (hex head)	Steel
F	Nut serrated M10	Steel
G	Solar roof hook	Steel
H	Middle clamp or Click Aludetal	Aluminium

ALUDETAL CNC

