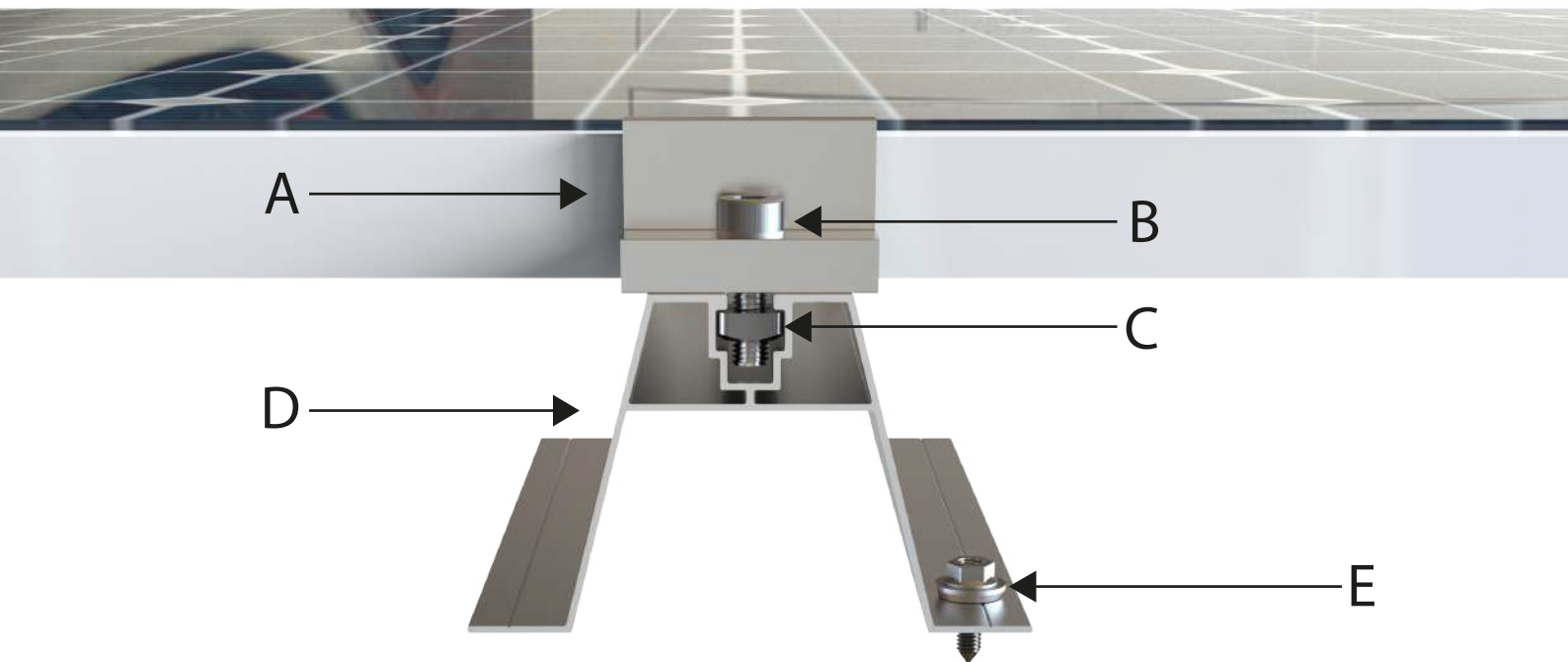


STRUCTURE FOR THE ROOF COVERED WITH TRAPEZOIDAL SHEET



Symbol	Element	Material
A	End clamps Z 25 ÷ 50	Aluminium
B	Allen Screw M8	Steel
C	M8 Square Nut or Trapezoidal Nut 25 / 18	Steel
D	Trapezoidal rail 40 / 70 / 100 mm	Aluminium
E	Screw with hexagonal head	Steel
F	Middle clamp or Click Aludetal	Aluminium

ALUDETAL CNC

